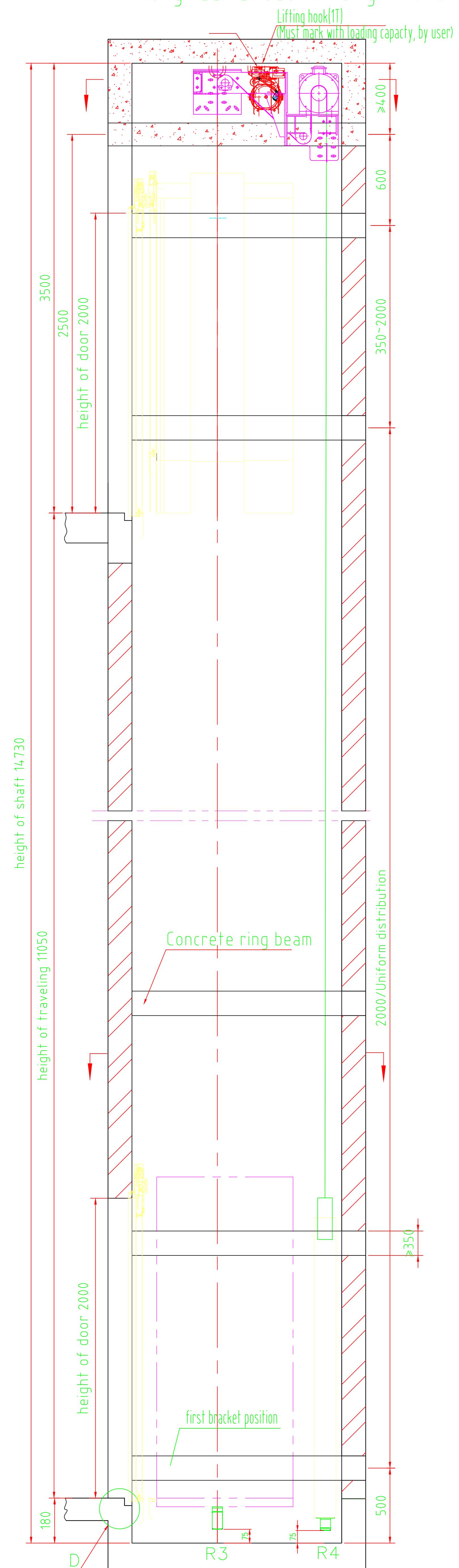


GRT181866

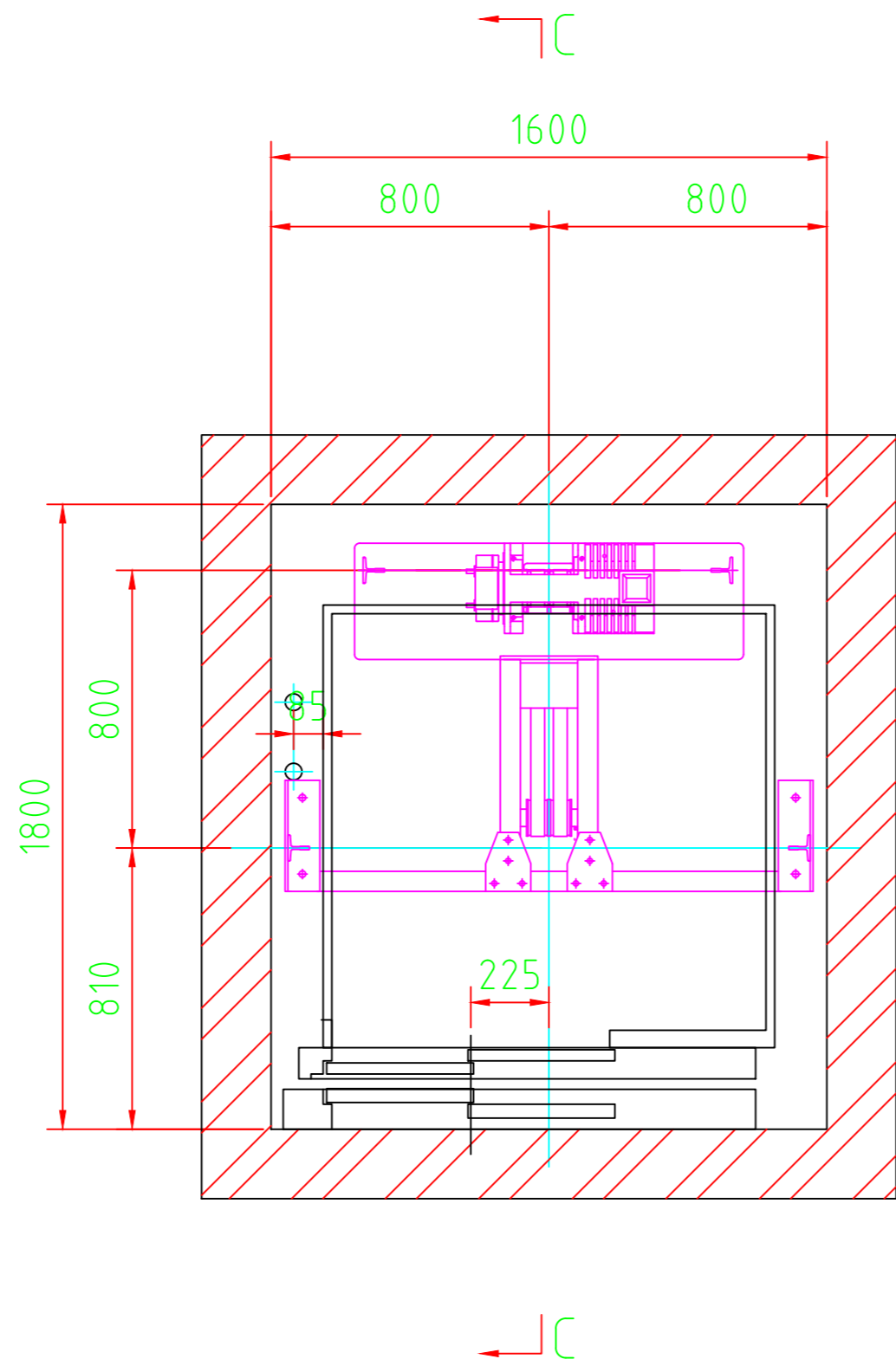
C-C longitudinal section dwg of shaft



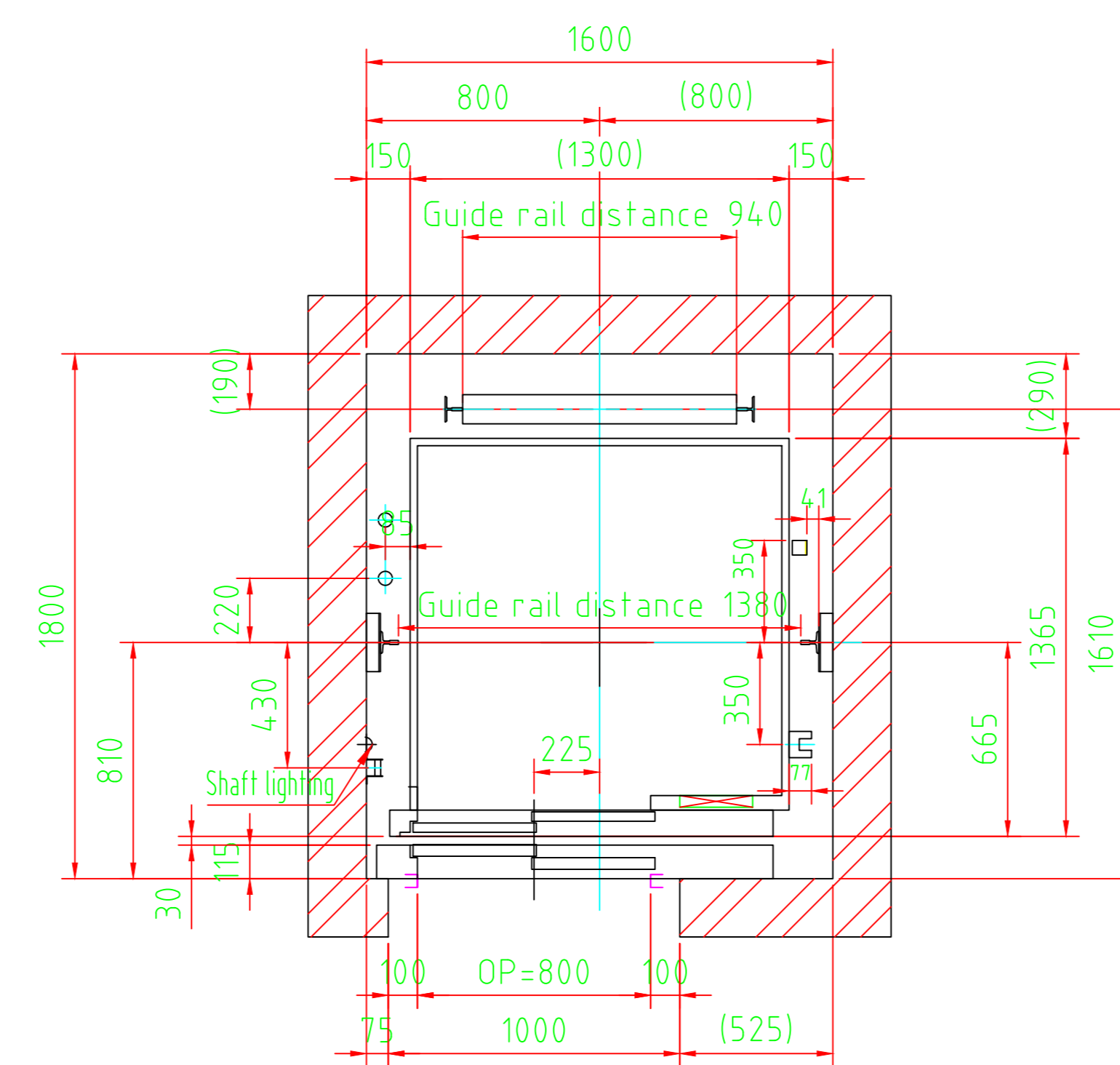
Floor	Height	Stop layer
4	3500	YES
3	2950	YES
2	3020	YES
1	5080	YES
Pit	180	-

Floor info

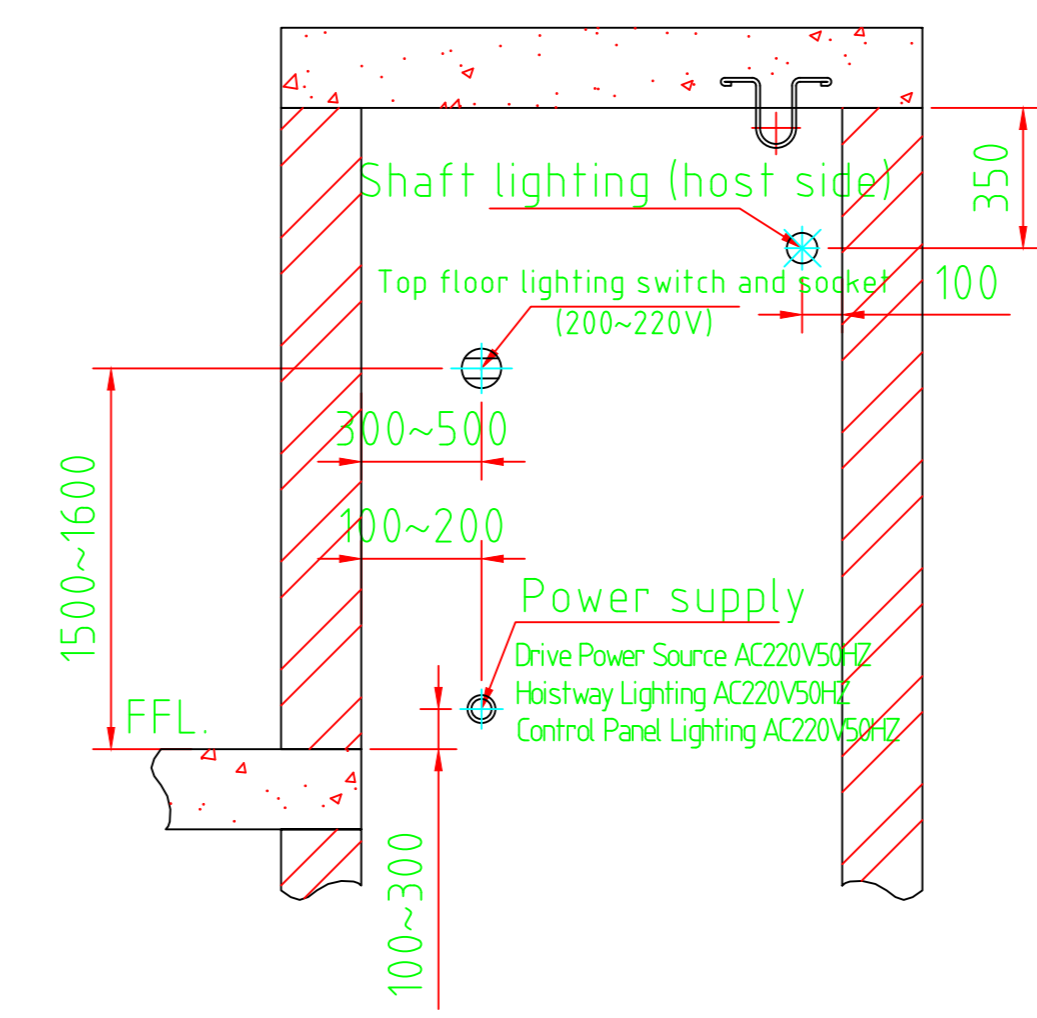
A-A (rotating 90°) Hoisting Machine Layout Plan



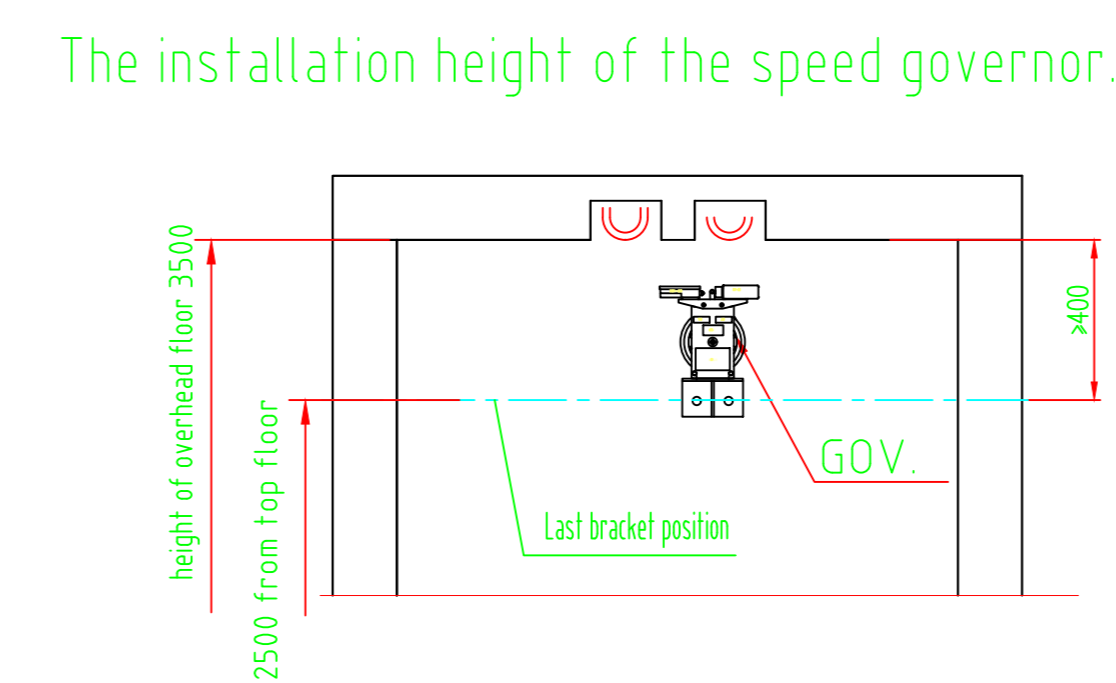
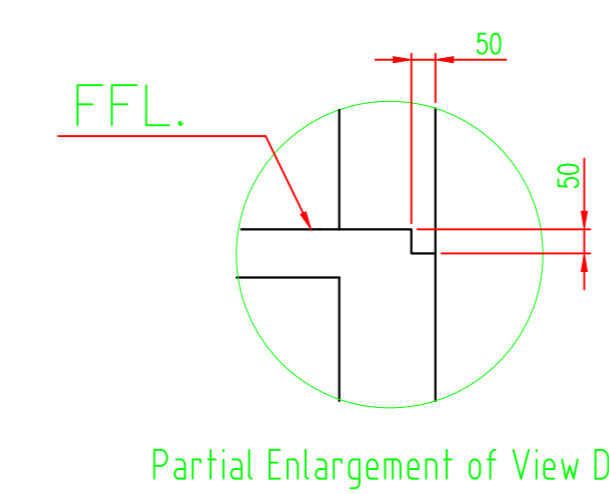
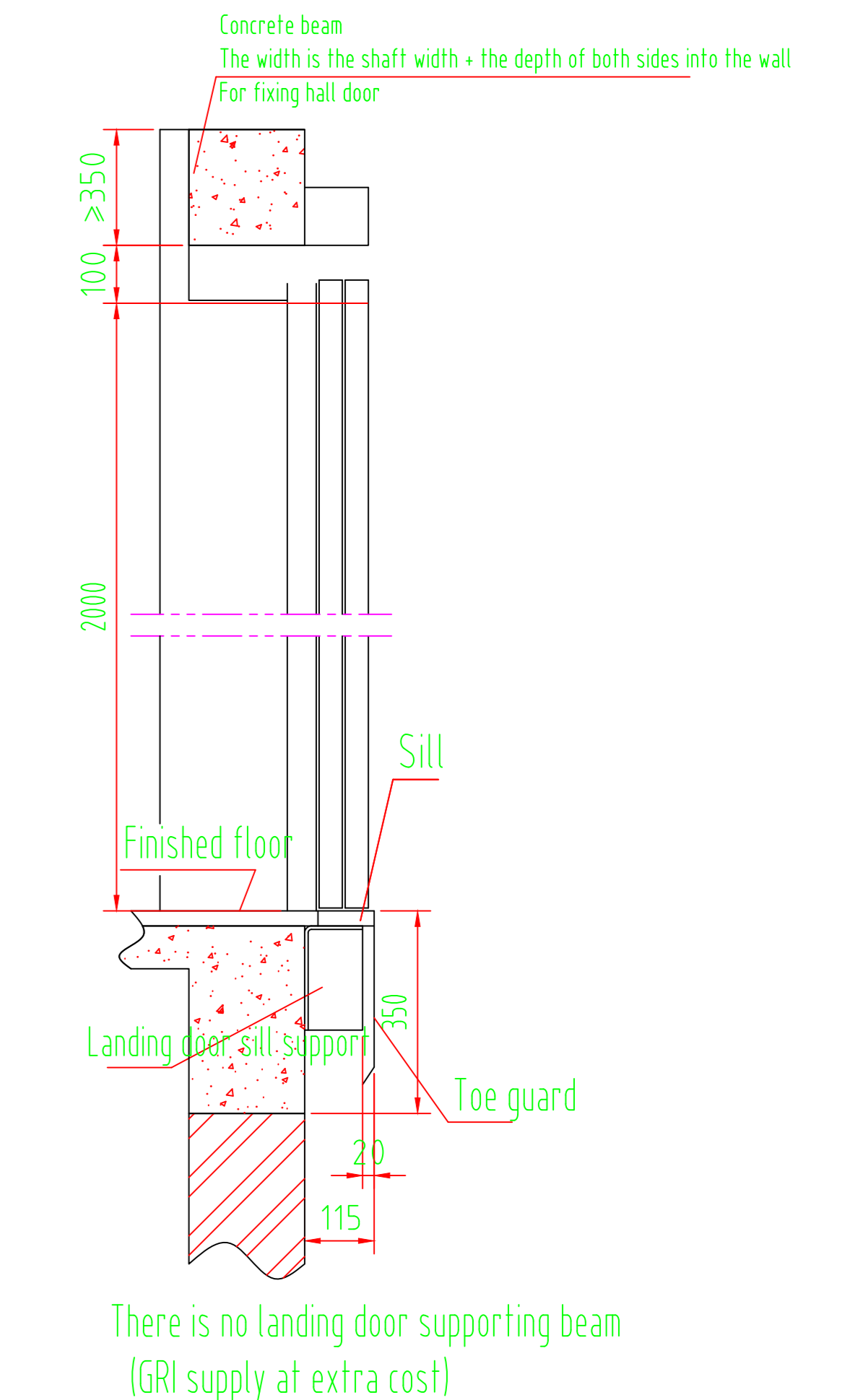
B-B (Rotate 90°) Shaft Plan



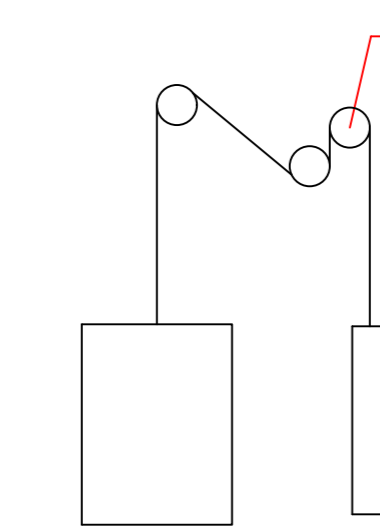
C-C local (rotating 90°, other components not shown) Location diagram of power supply introduction (at the top of the shaft)



Supporting beam and door area structure



Rope Reewing System



The user agrees to produce according to this dwg		type	G•Art-H400-2S0.4	control system	Microprocessor control
seat of user	signed by	rated load	400kg	control system	Microprocessor control
		rated speed	0.4m/s	Power supply(working)	220V 50HZ
Reaction force R1=30kN R2=30kN R3=20kN R4=24kN		car door/landing door	2S	Power supply(lighting)	220V 50HZ
		inside size of car (wXd)	1250x1200	height of shaft	14730mm
		outside size of car (wXd)	1300x1365	height of travelling	11050mm
		size of opening door (wXh)	800x2000	height of overhead floor	3500mm
		dimension of shaft (wXd)	1600x1800	depth of pit	180mm
		Traction ratio	2:1	Floor info.	4/4/4

Note1: The layout of the building of the Company is made up of the layout drawing and the civil drawings and the drawings (12825817). For details, please refer to the attached documents.

product No.			
entry name	Pink building Phuket Paradis		
Building No.	DT1		
		G•Art-H400-2S0.4	GRT181866
Marks Nos.	Doc.No.	Signed by	Date
Designed by	Jay	Date	2025/12/22
Proofed by			
Checked by			
Home lift layout drawing		Contract No.	Quantity
No.1			1 000
		Total 2 page	1 OF 2
		GUANGZHOU GUANGRI ELEVATOR INDUSTRY CO., LTD.	